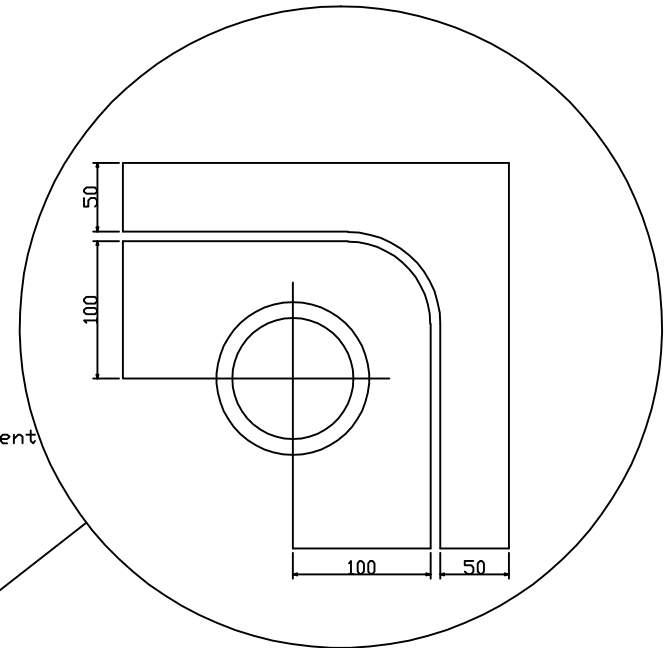
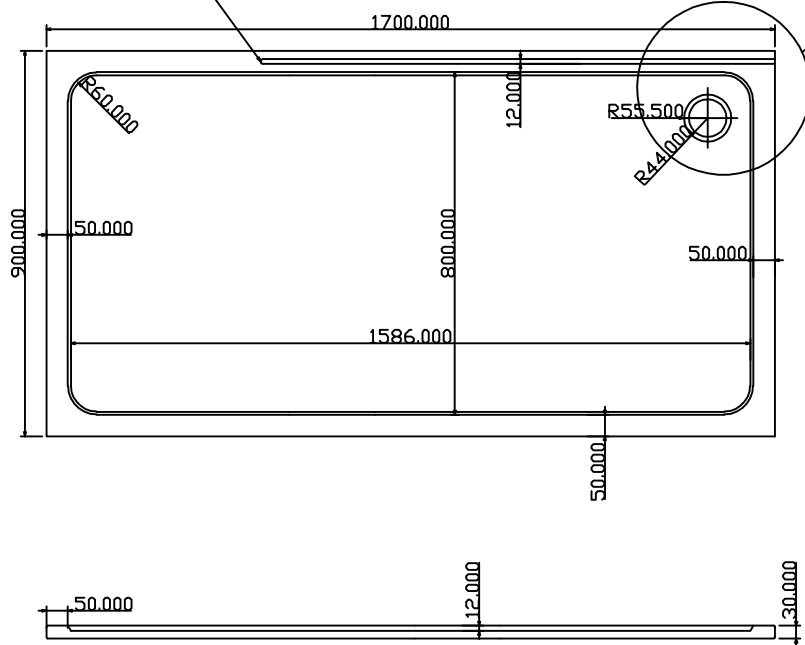


note standard position of waste as shown unless specified by client

Glass support channel optional



Drainage / traction grooves running into showertray on a 1mm to 2mm incline